

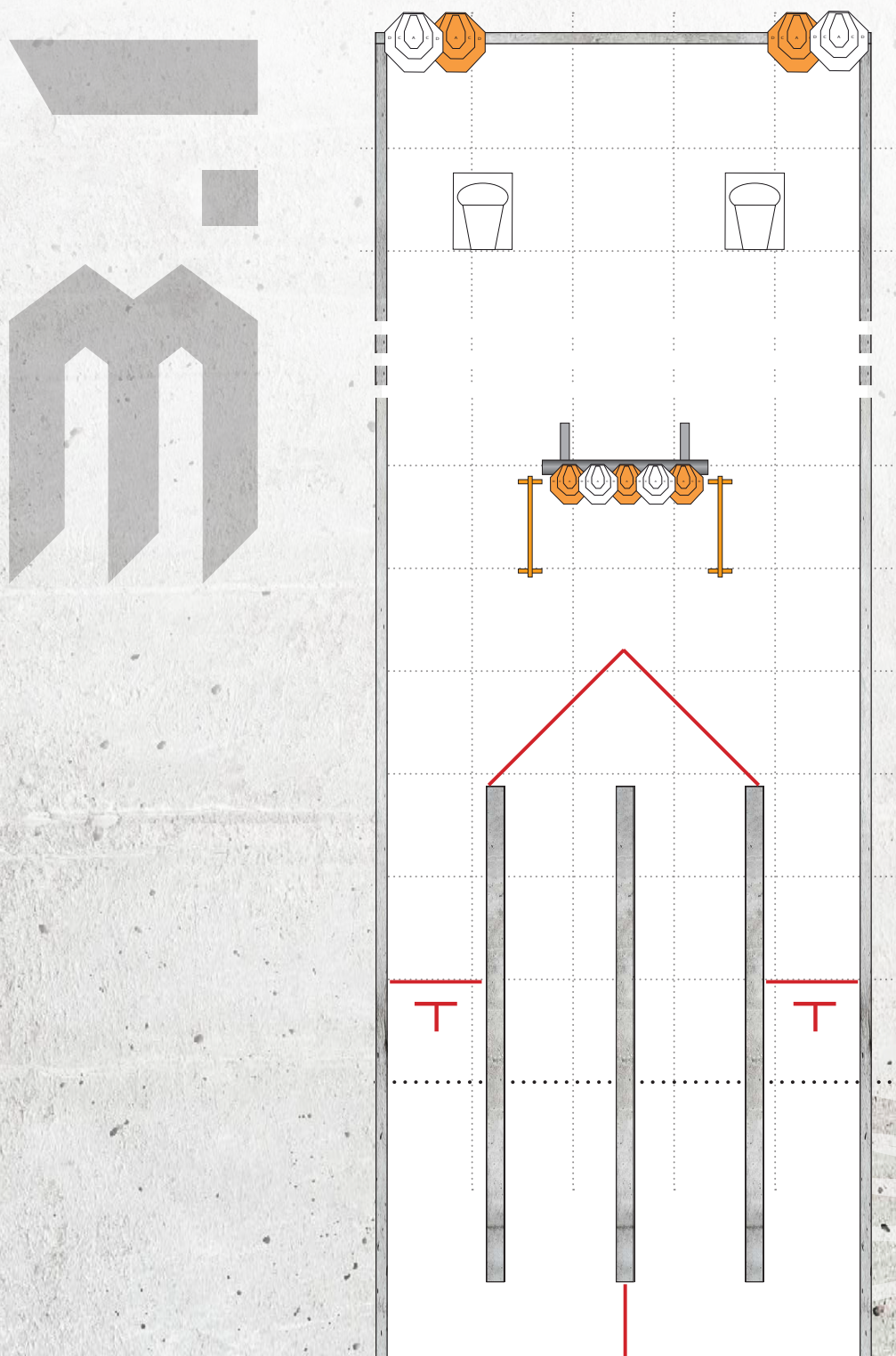
# - STAGE 1 -

5 (five) IPSC Targets, 2 (two) IPSC Mini Poppers.

Minimum number of rounds to be scored : 12 (twelve) rounds.

Starting position : on «T» mark 1 or 2.

Time starts : audible signal.



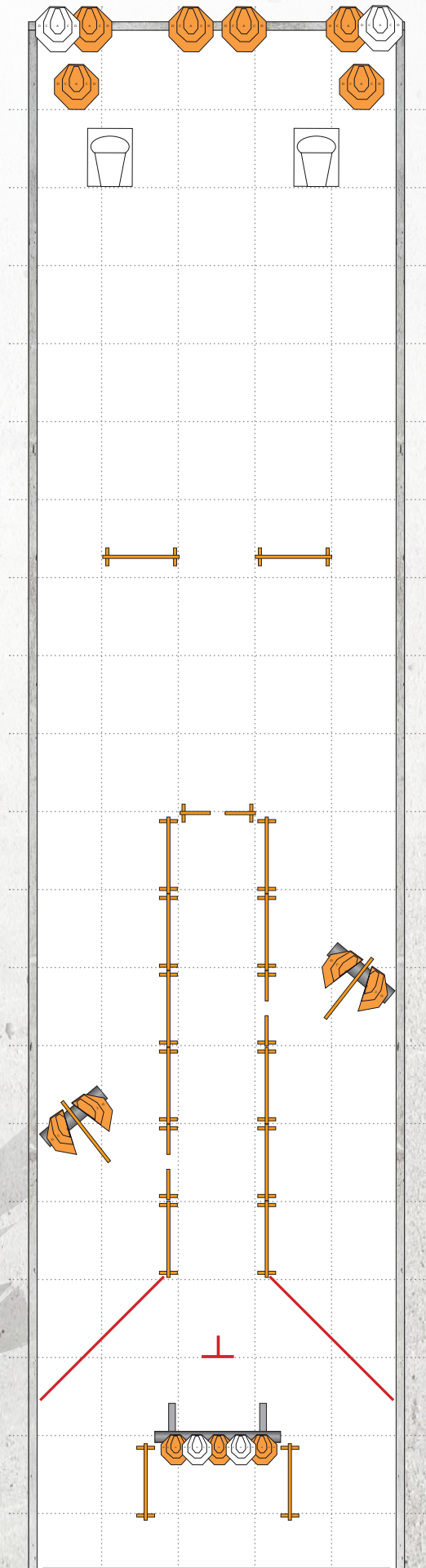
## - STAGE 2 -

**13 (thirteen) IPSC Targets,  
2 (two) IPSC Mini Poppers.**

**Minimum number of rounds  
to be scored :  
28 (twenty-eight) rounds.**

**Starting position : on «T» mark.**

**Time starts : audible signal.**



## - STAGE 3 -

4 (four) IPSC Targets, 2 (two) IPSC Mini Poppers.  
Minimum number of rounds to be scored : 10 (ten) rounds.

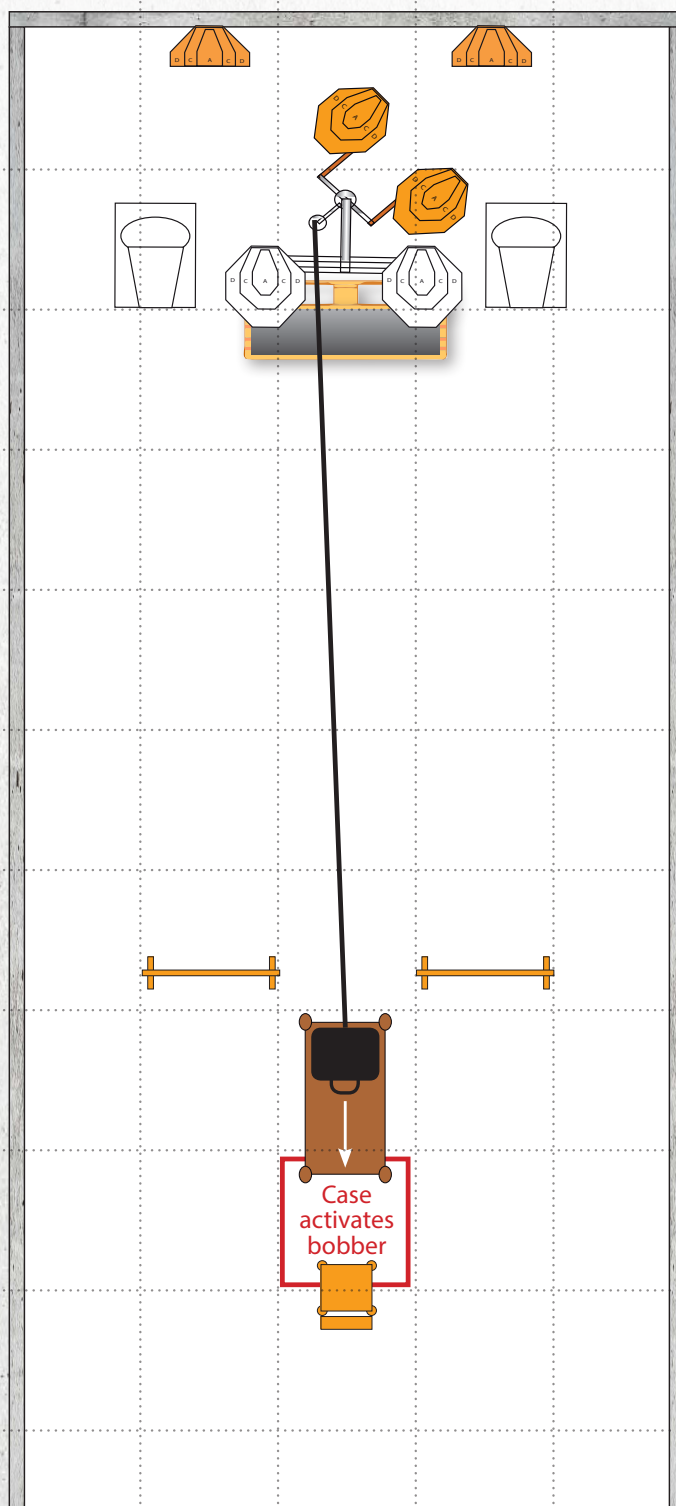
Gun : Chamber and magwell empty. Flat on the table and first mag to be used flat on the table.

Starting position : Sitting on the chair.

Procedure : Pulling the suitcase activates the bobber.

The moving targets remain visible at rest

Time starts : audible signal.

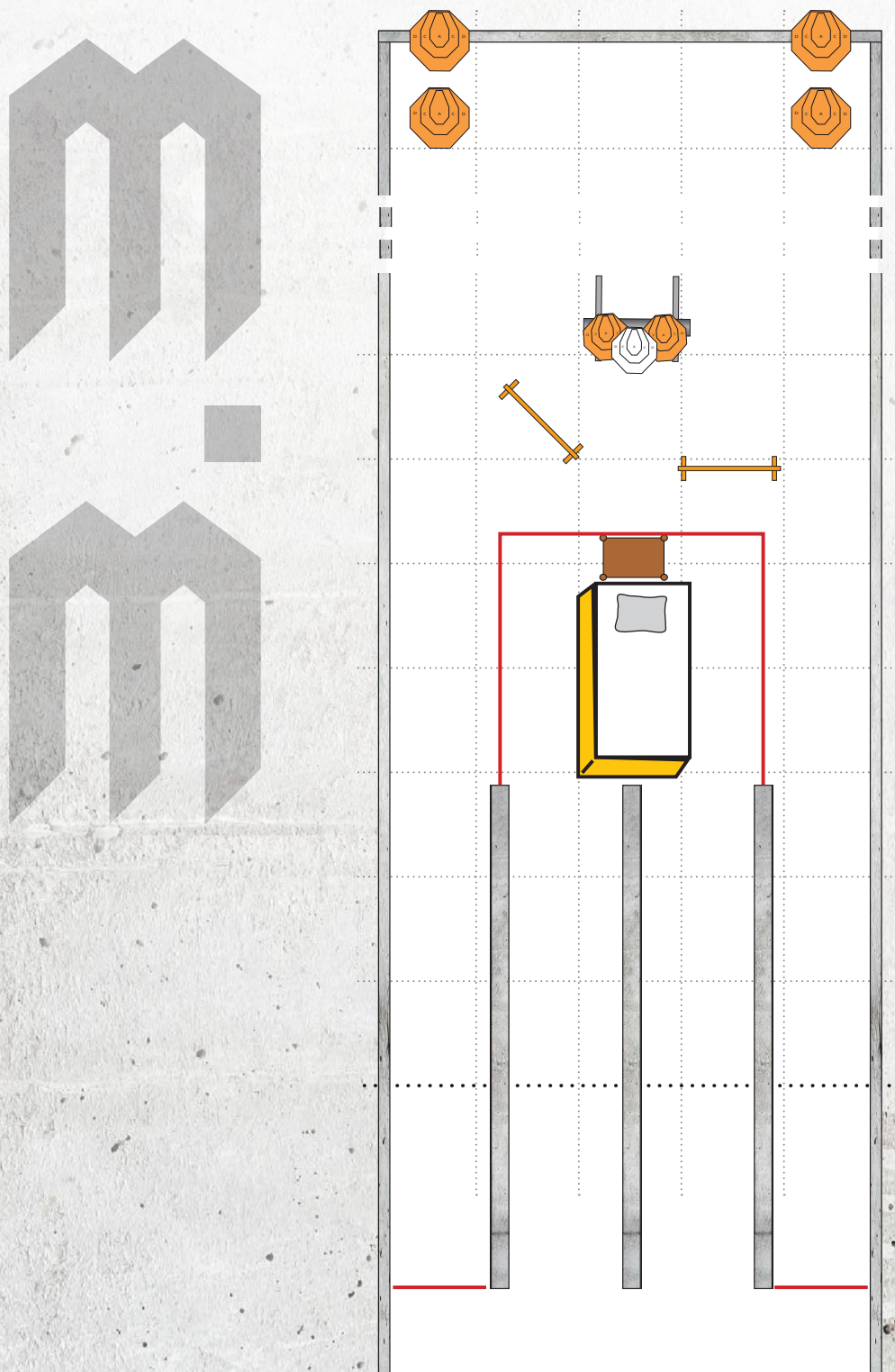


# - STAGE 4 -

6 (six) IPSC Targets.  
Minimum number of rounds to be scored : 12 (twelve) rounds.

Gun : loaded flat on the table.  
Starting position : Lying on the bed like demonstrated

Time starts : audible signal.



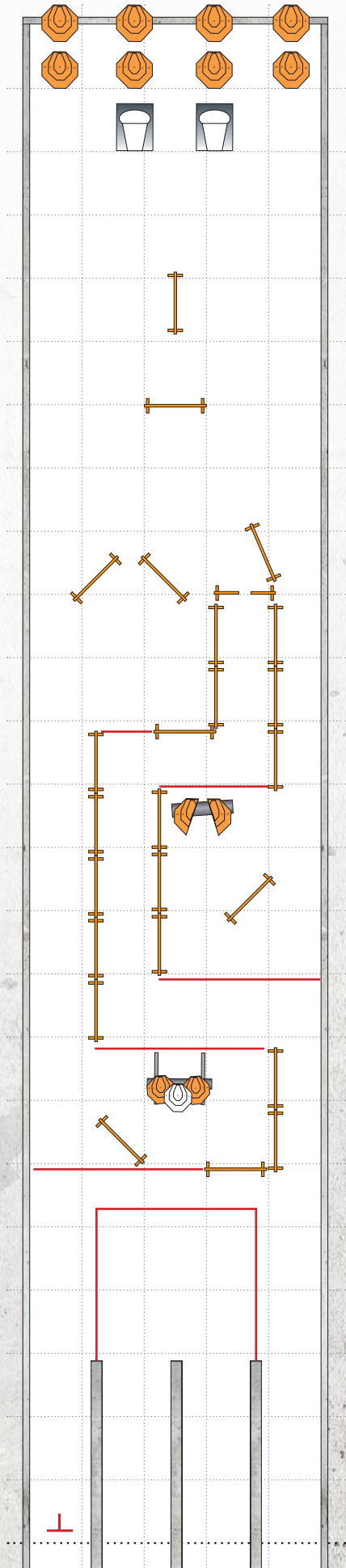
# - STAGE 5 -

**12 (twelve) IPSC Targets,  
2 (two) IPSC Mini Poppers.**

**Minimum number of rounds  
to be scored :  
26 (twenty six) rounds.**

**Starting position : on «T» mark.**

**Time starts : audible signal.**



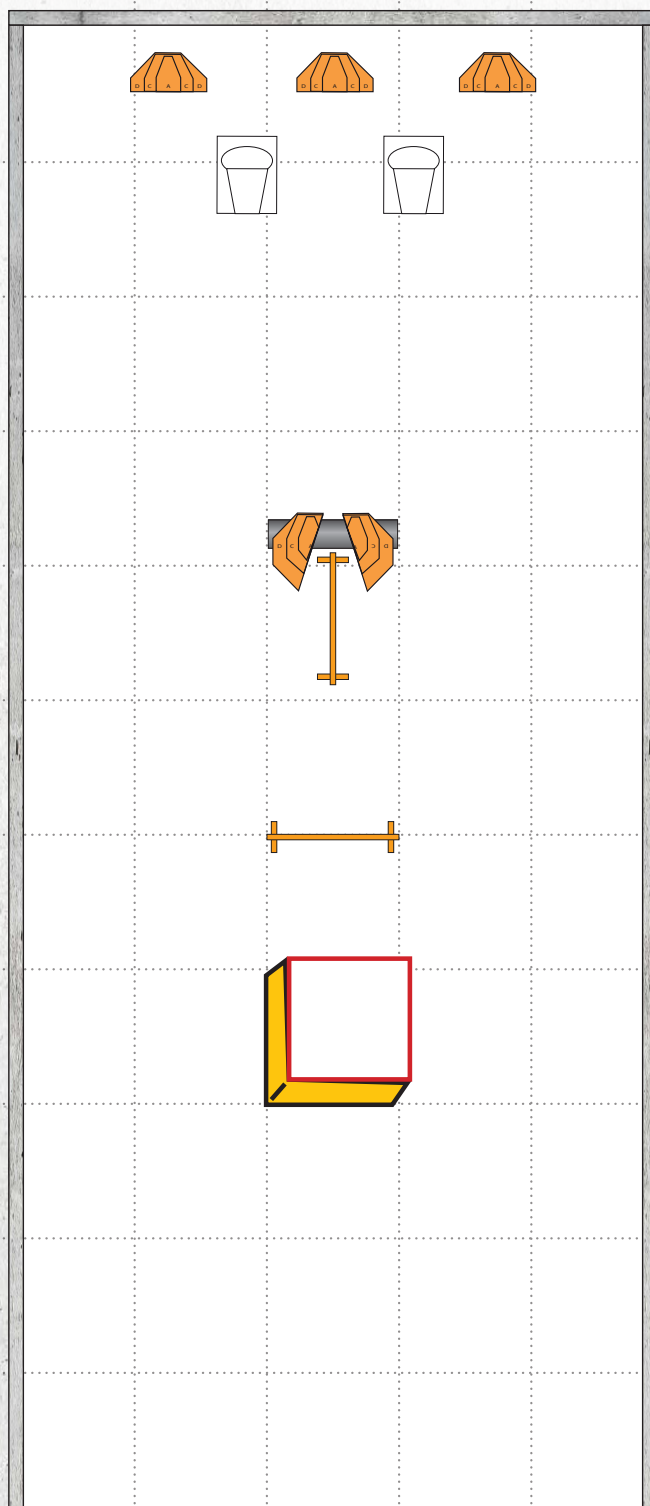
# - STAGE 6 -

5 (five) IPSC Targets and 2 (two) IPSC Mini Poppers.

Minimum number of rounds to be scored : 12 (twelve) rounds.

Gun in the holster; chamber and magwell empty.  
Starting position : Standing relax on the platform.

Time starts : audible signal.

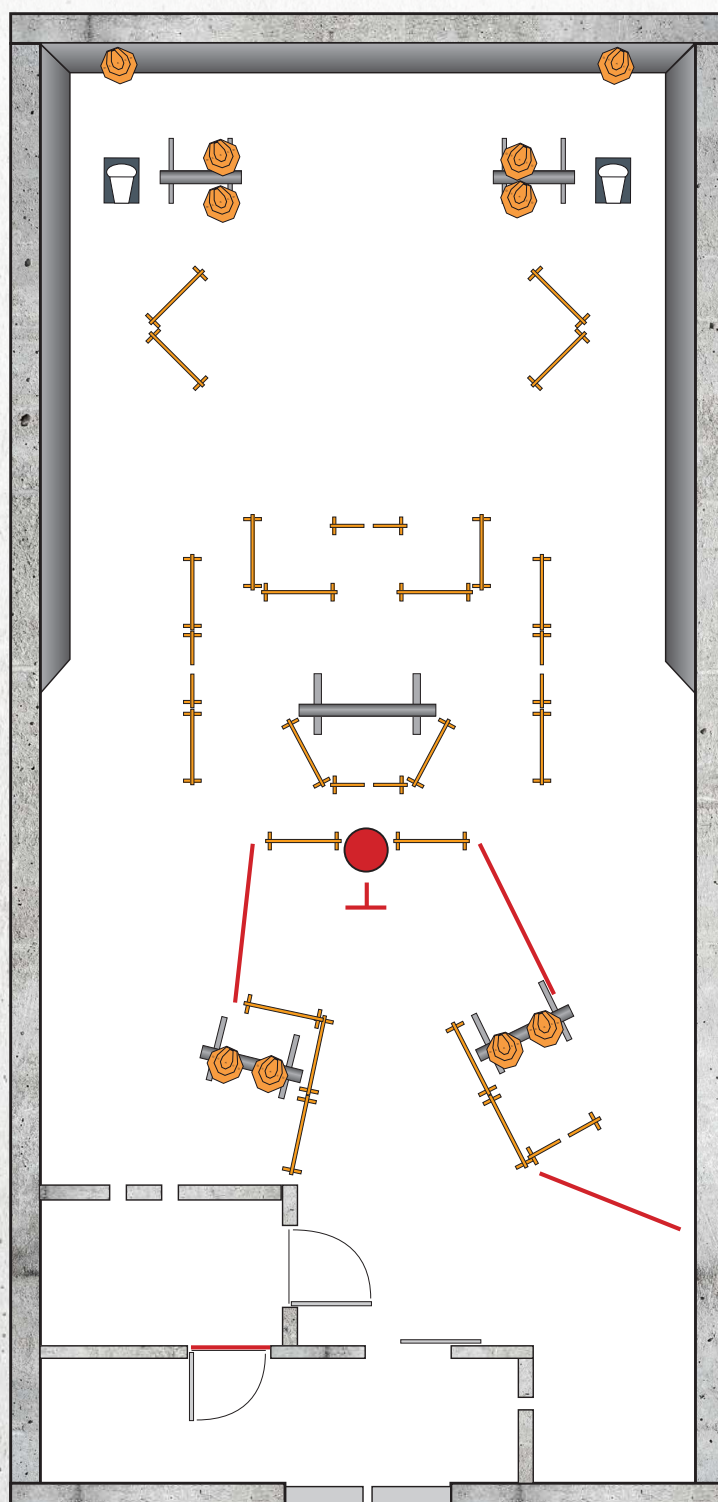


# - STAGE 7 -

10 (ten) IPSC Targets, 2 (two) IPSC Mini Poppers.  
Minimum number of rounds to be scored : 22 (twenty-two) rounds.

Gun in the holster; chamber and magwell empty, and all mags on the barrel.  
Starting position : on «T» mark.

Time starts : audible signal.

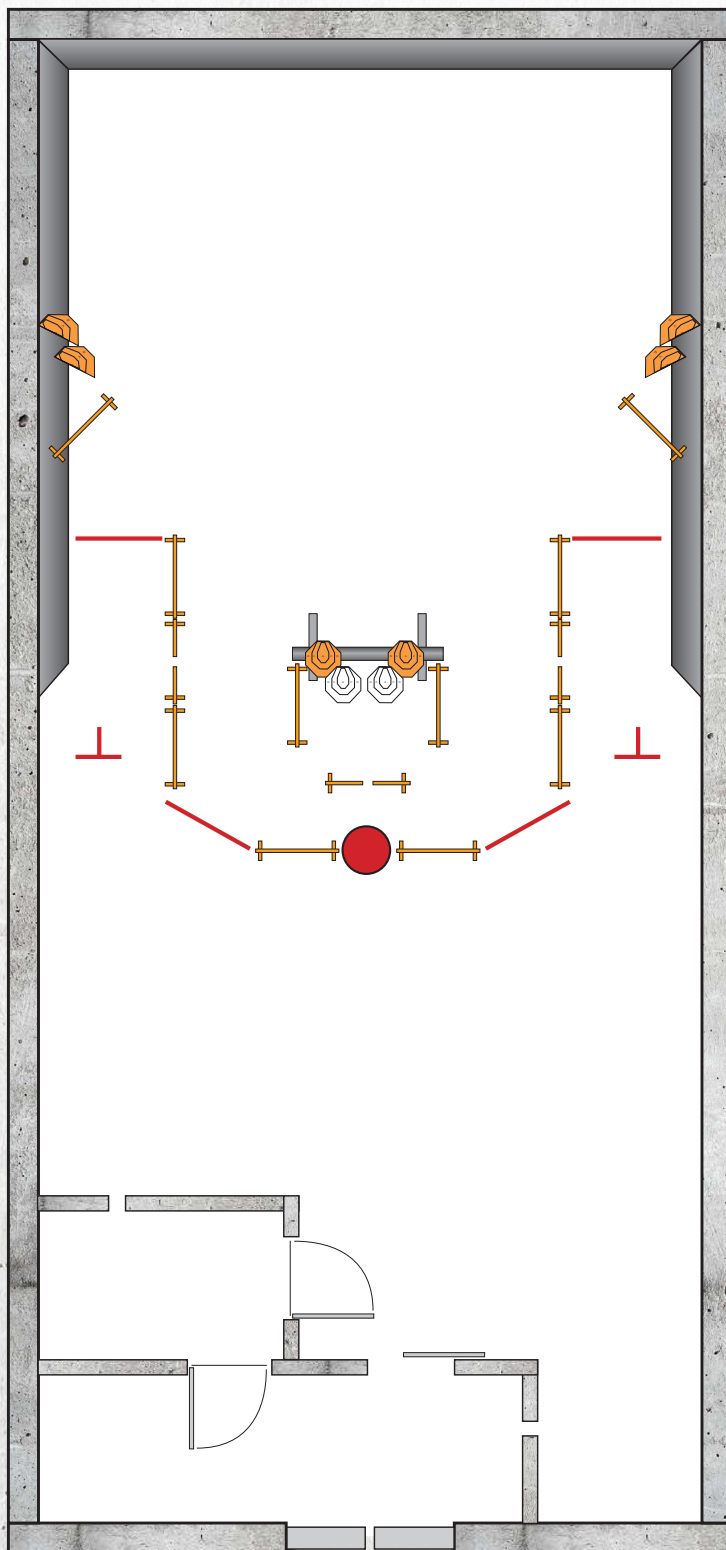


# - STAGE 8 -

6 (six) IPSC Targets.  
Minimum number of rounds to be scored : 12 (twelve) rounds.

Starting position : on «T» mark 1 or 2.  
Procedure : Strong hand only.

Time starts : audible signal.





## - STAGE 9 -

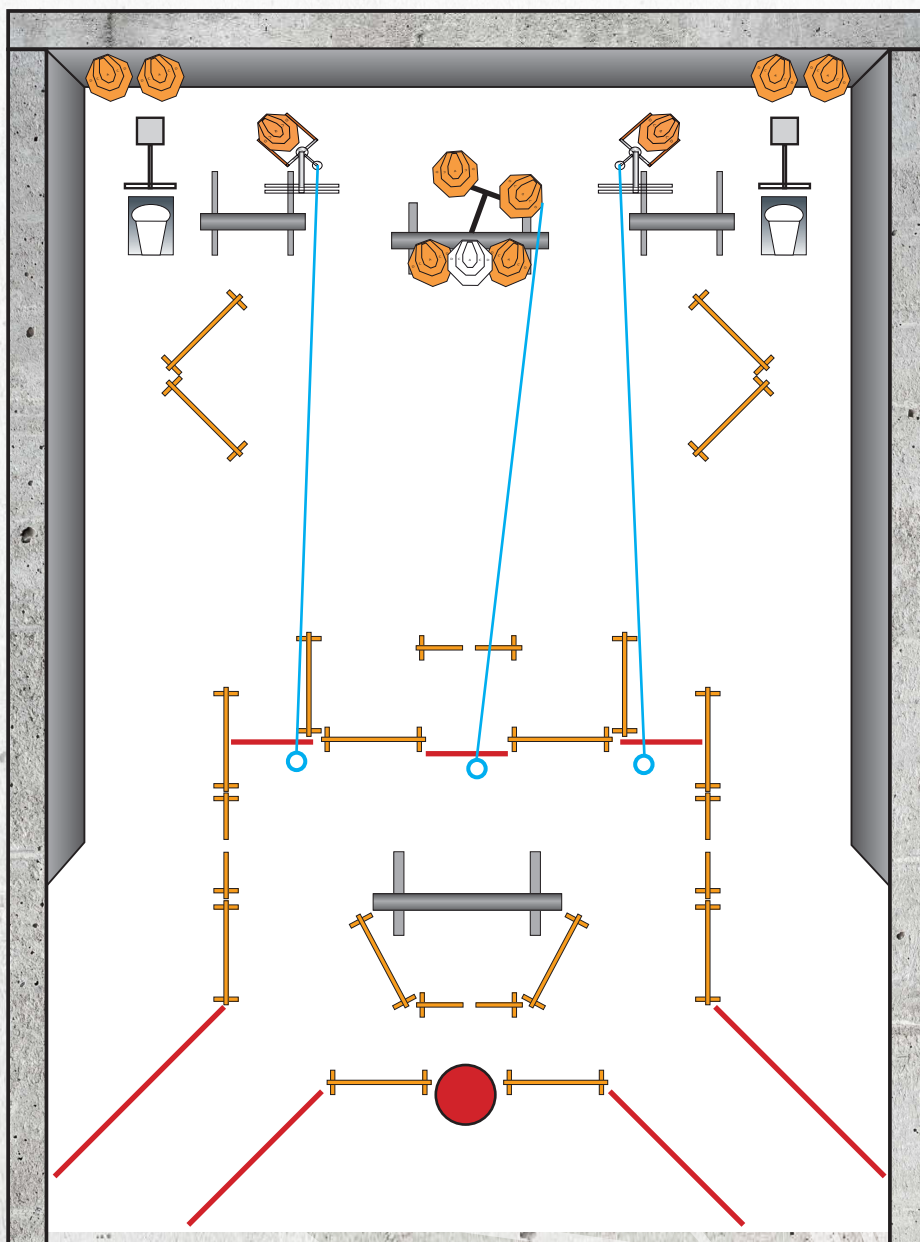
10 (ten) IPSC Mini Targets, 2 (two) IPSC Mini Poppers, 2 (two) IPSC Metal Plates.  
Minimum number of rounds to be scored : 24 (twenty-four) rounds.

**Starting position : anywhere in the shooting area.**

**Procedure : Pulling the handle 1 activates moving target 1. Pulling the handle 2 activates moving target 2 and 3. Pulling the handle 3 activates moving target 4.**

**The moving targets remain visible at rest.**

**Time starts : audible signal.**

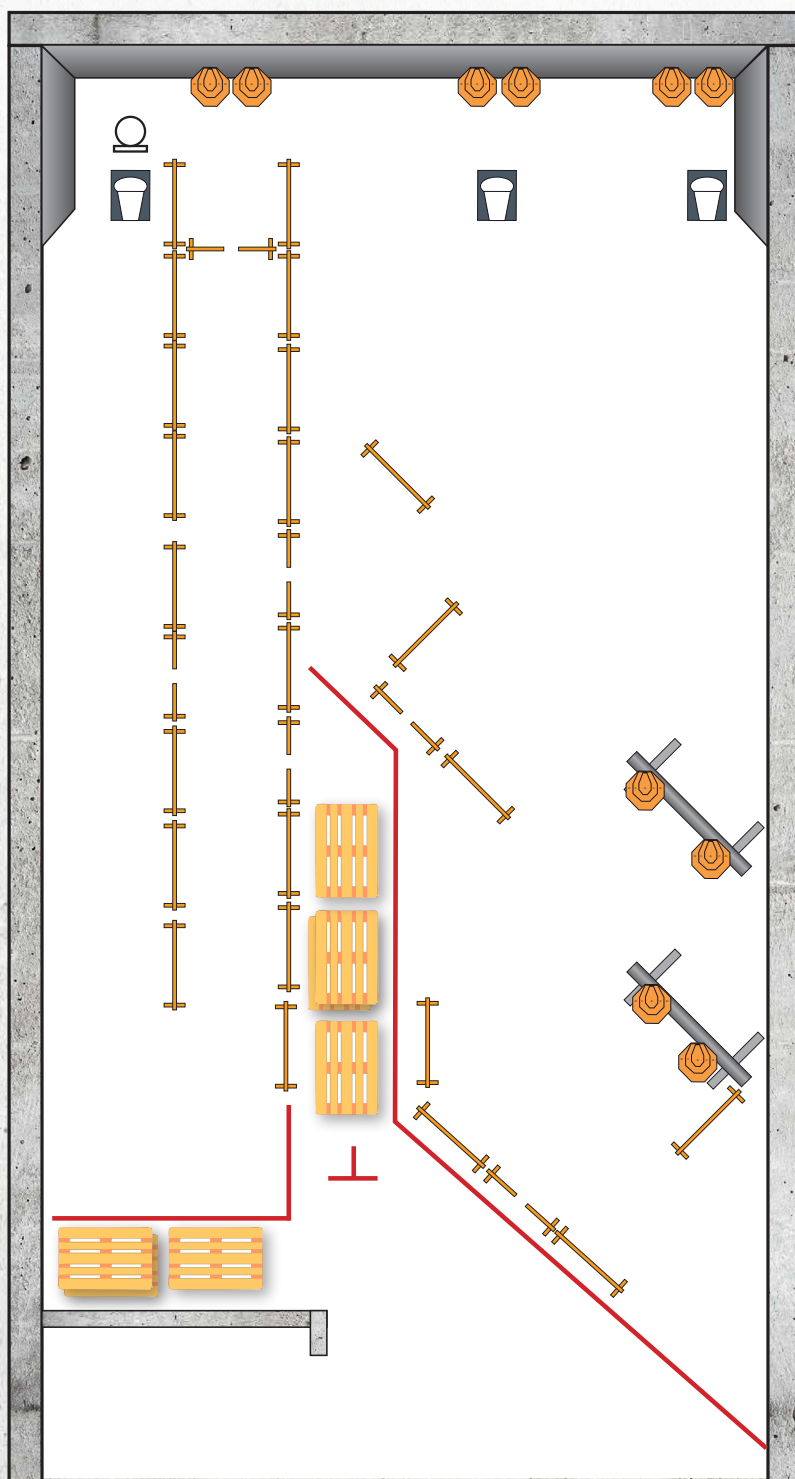


# - STAGE 10 -

10 (ten) IPSC Targets, 3 (three) IPSC Mini Poppers and 1 (one) IPSC Metal Plate.  
Minimum number of rounds to be scored : 24 (twenty-four) rounds.

Starting position : on «T» mark.

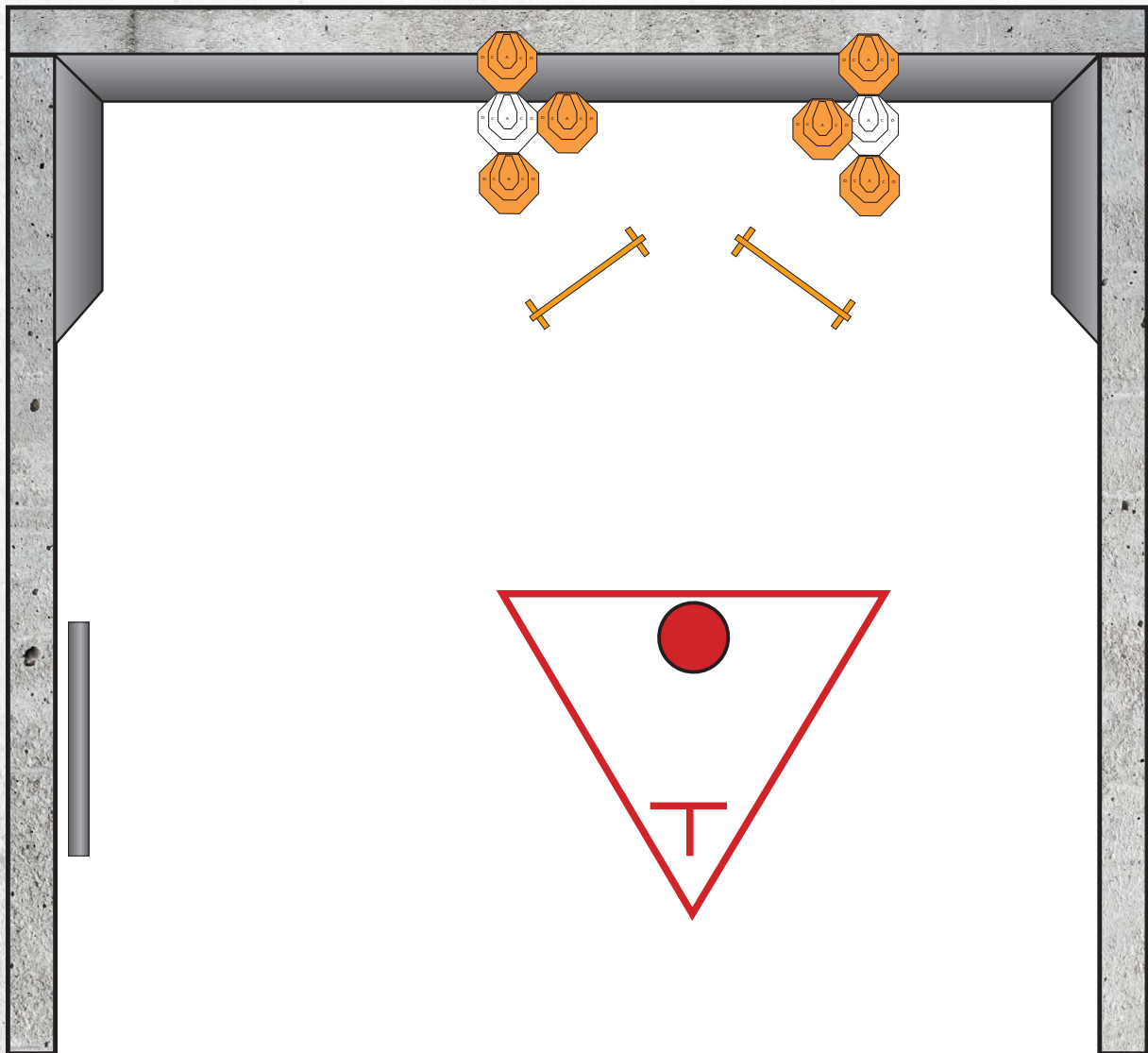
Time starts : audible signal.



## - STAGE II -

6 (six) IPSC Mini Targets.  
Minimum number of rounds to be scored : 12 (twelve) rounds.

Gun : loaded flat on the barrel.  
Starting position : facing up range, on «T» mark.  
Procedure : weak hand only.  
Time starts : audible signal.



5.4



## - STAGE 12 -

10 (ten) IPSC Targets, 2 (two) IPSC Poppers and 2 (two) IPSC Metal Plates.  
Minimum number of rounds to be scored : 24 (twenty-four) rounds

Starting position : on the «T» mark.

Time starts : audible signal.

